

HANOVER ABOVE COUNTER BASIN

Cat. No
4-8052



W: 23-1/2"
D: 16"
H: 5-3/4"

Features:

- ▶ Above counter basin
- ▶ Vitreous china for durability
- ▶ No overflow
- ▶ Drain not provided
- ▶ Can be used with grid drain #5601 and umbrella drain # UD701 (Not included)

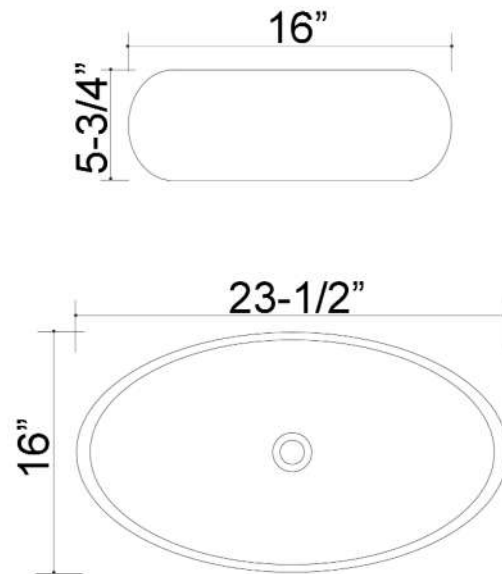
Colors:
WH White

Compliance Certification
Meets or exceeds the following specifications: ASME A112.19.2 2013 and CSA B45.1-13 for ceramic plumbing fixtures.

***Please do NOT drill hole without template or actual product.**

Interior Dimensions:

Basin Interior: 21-3/8" x 13-1/4"
Basin Depth: 4-7/8"
Back of basin to center of drain: 7-3/4"



Dimensions of fixture are nominal and may vary within the range of tolerances established by AMSE Standard A112.19.2.2013 Dimensions and specifications subject to change without notice.